



**∴ HEINE Hand-held Ophthalmic Instruments**





∴ **HEINE BETA 200S® Ophthalmoscope**  
Perfection in detail.

[ HEINE BETA 200S® OPHTHALMOSCOPE ]

|| ORDER NO. [ HEAD ONLY ] : 3.5V | [ C-002.30.120 ]

2.5V | [ C-001.30.120 ]

**Superior aspherical optics.**

The BETA 200S is the first hand-held direct ophthalmoscope with a combination of patented aspherical optics<sup>1)</sup> and single-step diopter selection from -36D to +38D for precise lens selection and a crisp, focused fundus image in all diagnostic situations.

HEINE's aspherical optical system uses the Gullstrand principle to separate the illumination and observation beams. Corneal and iris reflexes are avoided and a complete section of the retina is visible even with a small pupil.

7 apertures for diagnostic flexibility in both large and small pupils.

1) U.S. Pat. 4.963.014

- ∴ **Aspherical optics**  
avoid corneal and iris reflex.
- ∴ **74 single-diopter steps**  
(from -36 to +38 dpt) for perfect focus even with high refractive error.
- ∴ **The optics are mounted on a metal frame**  
to ensure a lifetime of optical precision.
- ∴ **7 different apertures**  
for retinal examination with both large and small pupils.
- ∴ **Separate interference red-free filter**  
for improved contrast when viewing retinal blood-vessels.
- ∴ **A powerful HEINE XHL® Xenon Halogen bulb**  
for full illumination with bright, white light.
- ∴ **Dustproof and maintenance-free**  
for the life of the instrument.
- ∴ **The ergonomic rounded shape**  
fits the orbita comfortably. Ergonomic, one-handed operation.
- ∴ **The multi-coated, recessed eyepiece**  
avoids stray light during the examination.
- ∴ **The soft brow rest**  
steadies the instrument and protects the examiners glasses.



HEINE BETA200S® Ophthalmoscope with HEINE BETA® handle

**Apertures**

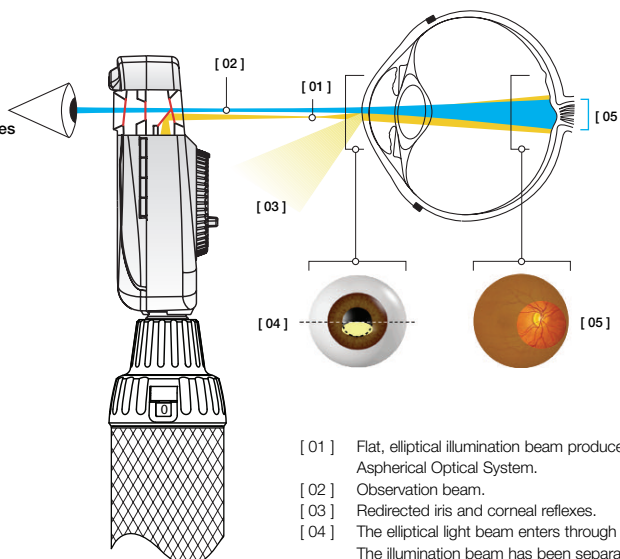
[ A ] [ B ]

- [ 01 ] Cobalt blue filter
- [ 02 ] Fixation star with polar co-ordinates
- [ 03 ] Large aperture
- [ 04 ] Medium aperture
- [ 05 ] Macula aperture / MicroSpot
- [ 06 ] Slit aperture
- [ 07 ] Hemispace

[ A ] without red-free filter  
[ B ] with red-free filter

**Patented "Aspherical Optical System" (AOS) exclusively from HEINE**

reduces corneal and iris reflexes to provide large, crisp and glare-free fundus images.



- [ 01 ] Flat, elliptical illumination beam produced by HEINE's patented Aspherical Optical System.
- [ 02 ] Observation beam.
- [ 03 ] Redirected iris and corneal reflexes.
- [ 04 ] The elliptical light beam enters through the lower half of the cornea. The illumination beam has been separated from the observation beam (Gullstrand-Principle). All reflexes are diverted away from the observation beam due to the curvature of the reflective cornea. Due to the flat, compressed form of the light beam, a maximum amount of light enters through the pupil.
- [ 05 ] Once past the anterior chamber, the light beam opens up dramatically to illuminate a large area of the retina.



∴ **HEINE BETA 200® Retinoscope**  
A new benchmark.



## [ HEINE BETA 200® RETINOSCOPE ]

|| ORDER NO. [ HEAD ONLY ] : 3.5V | [ C-002.15.353 ]\*

2.5V [ C-001.15.353 ]\*

**HEINE ParaStop® for total precision in selecting a parallel beam.**

The retinoscope is used to measure the refractive error of the eye. Conditions such as long- and shortsightedness and astigmatism can be detected and measured.

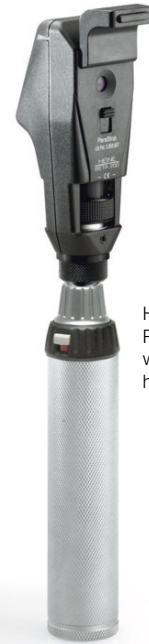
The BETA 200 Retinoscope with ParaStop<sup>1)</sup> and the latest in multi-coated optics provides an exceptionally-bright fundus reflex for improved accuracy of diagnosis.

ParaStop was designed and developed to simplify precise selection of a parallel illumination beam. ParaStop helps to determine the cylinder axis more precisely and speeds up subsequent testing after refraction.

The internal polarisation filter in the BETA 200 eliminates stray light and internal reflex without reducing brightness.

1) U.S. Pat. 5.859.687

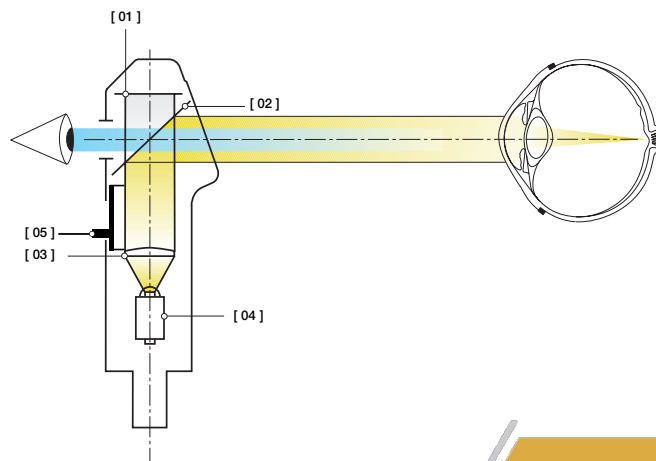
- ∴ **ParaStop** simplifies precise selection of a parallel beam.
- ∴ **Multi-coated optics** ensure bright, clear images.
- ∴ **The internal polarisation filter** eliminates stray light and internal reflex.
- ∴ **A single control sleeve** adjusts vergence of the beam and provides streak rotation.
- ∴ **The powerful, bright HEINE XHL® Xenon Halogen bulb** ensures easy recognition of neutralisation.
- ∴ **Can be changed from a streak to a spot retinoscope** by simply changing the bulb.
- ∴ **Instrument controls** are made of metal to guarantee lifelong precision and quality of operation.
- ∴ **Improved ergonomic shape** effectively shields the examiner's orbit from stray light.
- ∴ **Totally-dustproof, maintenance-free.**
- ∴ **Optional detachable orange filter** for light-sensitive patients.
- ∴ **Optional holder** for fixation cards available.
- ∴ **Includes detachable brow-rest** for spectacle wearers.



HEINE BETA 200® Retinoscope with HEINE BETA® handle


**ParaStop and polarisation filter**

- [ 01 ] Polarisation filter, eliminates internal reflexes and stray light.
- [ 02 ] Semi-reflector mirror: Simultaneous illumination and observation. Reflected light from the retina enters the examiner's eye.
- [ 03 ] Condensor lens adjustable by a single control sleeve: Produces a divergent, convergent or parallel beam of light.
- [ 04 ] A special retinoscope bulb rotates for diagnosis of the cylinder axis.
- [ 05 ] ParaStop simplifies and speeds up the precise detection of cylinder axis.





### BETA 200S Ophthalmoscope

	2.5V	3.5V
BETA 200S Ophthalmoscope, without handle	<b>C-001.30.120</b>	<b>C-002.30.120</b>
XHL Xenon Halogen spare bulb	<b>X-001.88.069</b>	<b>X-002.88.070</b>
<b>Set complete with BETA 200S Ophthalmoscope, 1 spare bulb in hard case, with:</b>	2.5V	3.5V
BETA battery handle	<b>C-261.10.118</b>	
BETA R rechargeable handle		<b>C-261.20.376</b>
same, with Lithium-Ion battery		<b>C-261.27.376</b>
BETA TR rechargeable handle and transformer		<b>C-261.20.384</b>
same, with Lithium-Ion battery		<b>C-261.27.384</b>
BETA NT rechargeable handle (NiMH) and NT 300 charger		<b>C-261.20.420</b>
same, with  BETA L rechargeable handle with Lithium-Ion battery		<b>C-261.29.420</b>




### BETA 200 Streak-Retinoscope

	2.5V	3.5V
BETA 200 Streak Retinoscope with XHL Xenon Halogen bulb, detachable brow rest, without handle	<b>C-001.15.353</b>	<b>C-002.15.353</b>
XHL Xenon Halogen spare bulb for <b>Streak Retinoscope</b>	<b>X-001.88.087</b>	<b>X-002.88.089</b>
XHL Xenon Halogen spare bulb to convert to <b>Spot Retinoscope</b>	<b>X-001.88.088</b>	<b>X-002.88.090</b>
Bulb holder		<b>C-000.15.355</b>
Bulb-cover		<b>C-000.15.356</b>
Detachable brow rest for spectacle-wearers		<b>C-000.15.357</b>
Orange filter for light-sensitive patients		<b>C-000.15.359</b>
Fixation cards with holder for dynamic retinoscopy		<b>C-000.15.360</b>


### Set complete with BETA 200 Streak Retinoscope,

1 spare bulb in hard case, detachable brow rest, with:

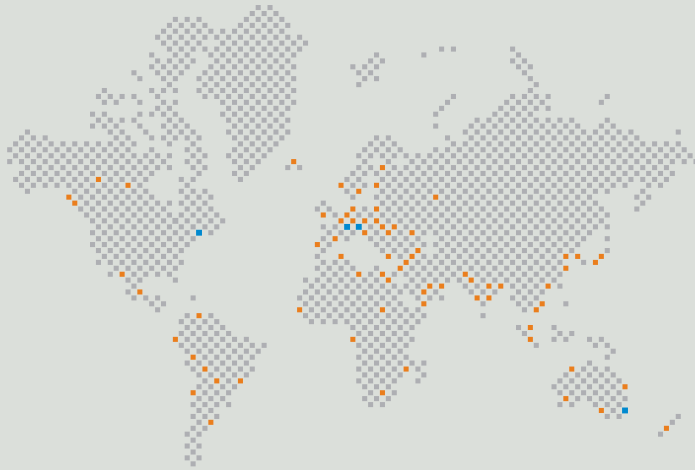
	2.5V	3.5V
BETA battery handle	<b>C-034.10.118*</b>	
BETA R rechargeable handle		<b>C-034.20.376</b>
same, with Lithium-Ion battery		<b>C-034.27.376</b>
BETA TR rechargeable handle and transformer		<b>C-034.20.384</b>
same, with Lithium-Ion battery		<b>C-034.27.384</b>
BETA NT rechargeable handle (NiMH) and NT 300 charger		<b>C-034.20.420</b>
same, with  BETA L rechargeable handle with Lithium-Ion battery		<b>C-034.29.420</b>

\* Available with large battery handle **X-001.99.120** (doesn't fit into hard cases). Please specify with your order.

### Set complete with BETA 200S Ophthalmoscope, BETA 200 Streak Retinoscope, detachable brow rest, 1 spare bulb in hard case, with:

	2.5V	3.5V
BETA battery handle	<b>C-262.10.118</b>	
BETA R rechargeable handle		<b>C-262.20.376</b>
same, with Lithium-Ion battery		<b>C-262.27.376</b>
BETA TR rechargeable handle and transformer		<b>C-262.20.384</b>
same, with Lithium-Ion battery		<b>C-262.27.384</b>
BETA NT rechargeable handle (NiMH) and NT 300 charger		<b>C-262.20.420</b>
same, with  BETA L rechargeable handle with Lithium-Ion battery		<b>C-262.29.420</b>

 : Rechargeable handle with charge status display in the bottom insert.



■ HEINE SUBSIDIARY COMPANIES  
■ HEINE REPRESENTATIVES

We reserve the right to change specification without notice.